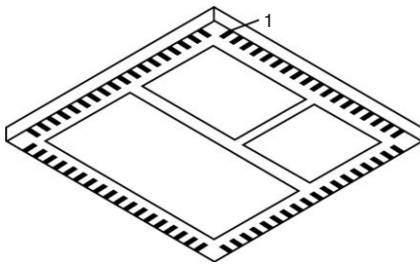


Fast Switching MOSFETs With Integrated Driver

PRODUCT SUMMARY	
Input Voltage Range	3.3 to 15 V
Output Voltage Range	0.5 to 6 V
Operating Frequency	100 kHz to 1 MHz
Continuous Output Current	Up to 27 A
Peak Efficiency	> 94 % at 300 kHz
Optimized Duty Cycle Ratio	10 %

PowerPAK® MLF 10 x 10



Bottom View

Ordering Information: SiC714CD10-T1
SiC714CD10-T1-E3 (Lead (Pb)-free)
*see page 2 for peak temperature

FEATURES

- Low-side MOSFET control pin for prebias start-up
- Undervoltage Lockout for safe operation
- Internal bootstrap diode reduces component count
- Break-Before-Make operation
- Turn-on/Turn-off Capability
- Compatible with any single or multi-phase PWM controller
- Low profile, thermally enhanced PowerPAK® MLF 10 x 10 Package



Available
RoHS*
COMPLIANT

APPLICATIONS

- DC-to-DC Point-of-Load Converters
 - 3.3 V, 5 V, or 12 V Intermediate BUS
 - Examples
 - 12 V_{IN}/0.8 - 2.5 V_{OUT}
 - 5 V_{IN}/0.8 - 1.5 V_{OUT}
- Servers and Computers
- Single and Multi-Phase Conversion

DESCRIPTION

The SiC714CD10 is an integrated solution which contains two PWM-optimized MOSFETs (high side and low side MOSFETs) and a driver IC. Integrating the driver allows better optimization of Power MOSFETs. This minimizes the losses and provides better performance at higher frequency.

The SiC714CD10 is packed in Vishay Siliconix's high performance PowerPAK MLF 10 x 10 package. Compact copackaging of components helps to reduce stray inductance, and hence increases efficiency.

FUNCTIONAL BLOCK DIAGRAM

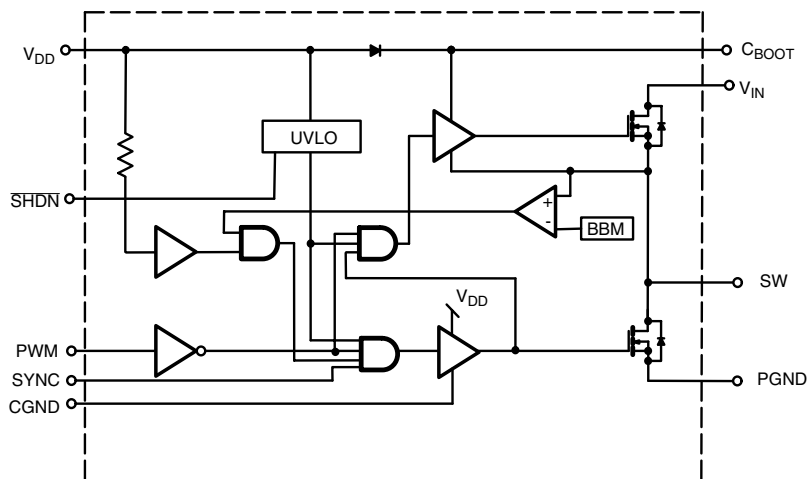


Figure 1.

* Pb containing terminations are not RoHS compliant, exemptions may apply.

ABSOLUTE MAXIMUM RATINGS $T_A = 25\text{ }^\circ\text{C}$, unless otherwise noted			
Parameter	Symbol	Steady State	Unit
Logic Supply	V_{DD}	7	V
Logic Inputs	V_{PWM}	7.3	
Common Switch Node	V_{SW}	30	
Drain Voltage	V_{IN}	30	
Bootstrap Voltage	V_{BOOT}	SW + 7	
Maximum Power Dissipation (Measured at 25 °C)	P_D	6	W
Operating Junction and Storage Temperature Range	T_j, T_{stg}	- 65 to 125	°C
Soldering Recommendations (Peak Temperature) ^{a, b}		240	

Stresses beyond those listed under "Absolute Maximum Ratings" may cause permanent damage to the device. These are stress ratings only, and functional operation of the device at these or any other conditions beyond those indicated in the operational sections of the specifications is not implied. Exposure to absolute maximum rating/conditions for extended periods may affect device reliability.

RECOMMENDED OPERATING CONDITIONS			
Parameter	Symbol	Steady State	Unit
Drain Voltage	V_{IN}	3.0 to 15	V
Logic Supply	V_{DD}	4.5 to 5.5	
Input Logic PWM Voltage	V_{PWM}	5	
Bootstrap Capacitor	C_{BOOT}	100 n to 1 μ	F

THERMAL RESISTANCE RATINGS					
Parameter ^c		Symbol	Typical	Maximum	Unit
Maximum Junction-to-Case	Steady State	R_{thJC}	2.1	2.6	°C/W
Maximum Junction-to-Ambient (PCB = Copper 25 mm x 25 mm)		R_{thJA}	50	75	

Notes:

- See Reliability Manual for profile. The PowerPAK MLF 10 x 10 is a leadless package. The end of the lead terminal is exposed copper (not plated) as a result of the singulation process in manufacturing. A solder fillet at the exposed copper tip cannot be guaranteed and is not required to ensure adequate bottom side soldering interconnection.
- Rework Conditions: manual soldering with a soldering iron is not recommended for leadless components.
- Junction-to-case thermal impedance represents the effective thermal impedance of all heat carrying leads in parallel and is intended for use in conjunction with the thermal impedance of the PC board pads to ambient ($R_{thJA} = R_{thJC} + R_{thPCB-A}$). It can also be used to estimate chip temperature if power dissipation and the lead temperature of heat carrying (drain) lead is known.



SPECIFICATIONS							
Parameter	Symbol	Test Conditions Unless Specified $T_A = 25\text{ }^\circ\text{C}$ $4.5\text{ V} < V_{DD} < 5.5\text{ V}, 4.5\text{ V} < V_{D1} < 20\text{ V}$	Limits			Unit	
			Min	Typ ^a	Max		
Controller							
Logic Voltage	V_{DD}		4.5		5.5	V	
Logic Current (Static)	$I_{DD(EN)}$	$V_{DD} = 4.5\text{ V}, \text{SYNC} = \text{H}, \text{PWM} = \text{H}, \overline{\text{SHDN}} = \text{H}$		1166		μA	
	$I_{DD(DIS)}$	$V_{DD} = 4.5\text{ V}, \text{SYNC} = \text{H}, \text{PWM} = \text{H}, \overline{\text{SHDN}} = \text{L}$		120			
Logic Current (Dynamic)	$I_{DD1(DYN)}$	$V_{DD} = 5\text{ V}, f_{\text{clk}} = 250\text{ kHz}^c$		27.5		mA	
	$I_{DD2(DYN)}$	$V_{DD} = 5\text{ V}, f_{\text{clk}} = 0.7\text{ MHz}^c$		59.5			
Logic Input							
Logic Input (VPWM)	High	V_{PVMH}	$V_{DD} = 5\text{ V}, \text{SYNC} = \text{H}, \overline{\text{SHDN}} = \text{H}$	2.5		V	
	Low	V_{PVML}			1.35		
Logic Input Voltage (V_{SYNC})		V_{SYNC}	$V_{DD} = 5\text{ V}, \text{PMW} = \text{H}, \overline{\text{SHDN}} = \text{H}$		2.0		
Logic Input Voltage (V_{SHDN})		V_{SHDN}	$V_{DD} = 5\text{ V}, \text{PMW} = \text{H}, \text{SYNC} = \text{H}$		2.0		
Input Voltage Hysteresis (PWM)		V_{HYS}			400	mV	
Logic Input Current		I_{SHDN}	$V_{DD} = 5.5\text{ V}, \overline{\text{SHDN}} = 0\text{ V}$		117	μA	
		I_{PWM}	$V_{DD} = 5.5\text{ V}, \text{PMW} = 5.5\text{ V}$		120		
Protection							
Break-Before-Make Reference		V_{BBM}	$V_{DD} = 5.5\text{ V}$		2.4	V	
Under-Voltage Lockout		V_{UVLO}	$V_{DD} = 5\text{ V}, \text{SYNC} = \text{H}, \overline{\text{SHDN}} = \text{H}$	3.5	4		4.25
Under-Voltage Lockout Hysteresis		V_{H}			0.4		
MOSFETs							
Drain-Source Voltage		V_{DS}	$I_D = 250\text{ }\mu\text{A}$	20	22	V	
Drain-Source On-State Resistance ^a		$r_{\text{DS(on)1}}$	$V_{DD} = 5\text{ V}, I_D = 10\text{ A}$ $T_A = 25\text{ }^\circ\text{C}$	High-Side	10.2	12.75	m Ω
		$r_{\text{DS(on)2}}$		Low-Side	3	3.6	
Diode Forward Voltage ^a		V_{SD1}	$I_S = 2\text{ A}, V_{\text{GS}} = 0\text{ V}$	High-Side	0.7	1.1	V
		V_{SD2}		Low-Side	0.67	1.1	
Dynamic^{b, c}							
Turn On Delay Time		$t_{\text{d(on)}}$	50 % - 50 % ^c		66	ns	
Turn Off Delay Time		$t_{\text{d(off)}}$			32		

Notes:

- a. Pulse test; pulse width $\leq 300\text{ }\mu\text{s}$, duty cycle $\leq 2\%$.
- b. Typical values are for DESIGN AID ONLY, not guaranteed nor subject to production testing.
- c. Using application board SiDB766707.

TIMING DIAGRAM

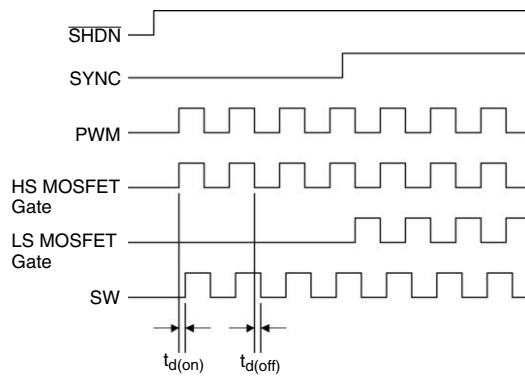


Figure 2.

APPLICATION INFORMATION (25 °C, unless noted, LFM = 0)

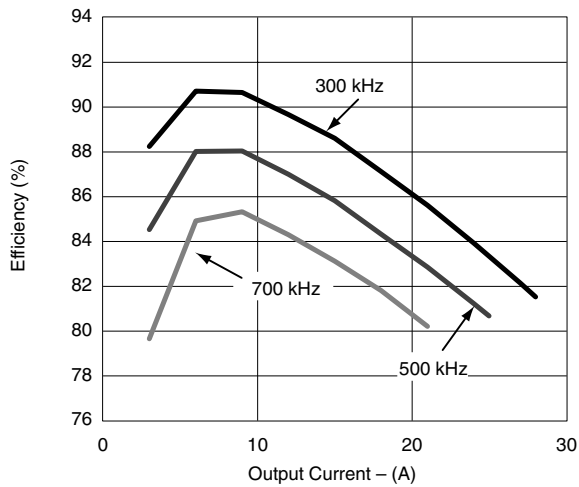


Figure 3. Total Efficiency 12V_{IN}/1.3 V_{OUT}

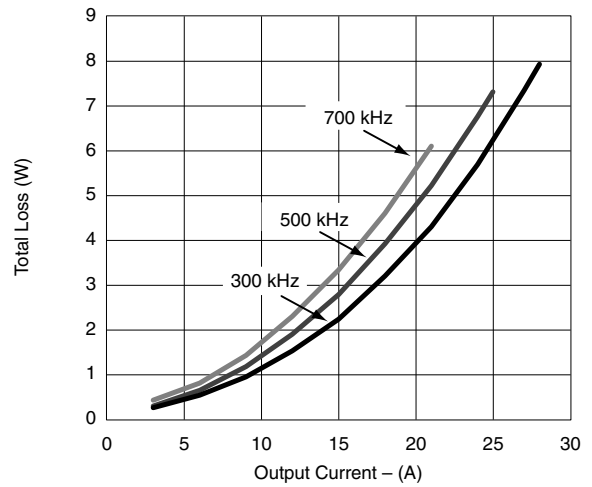
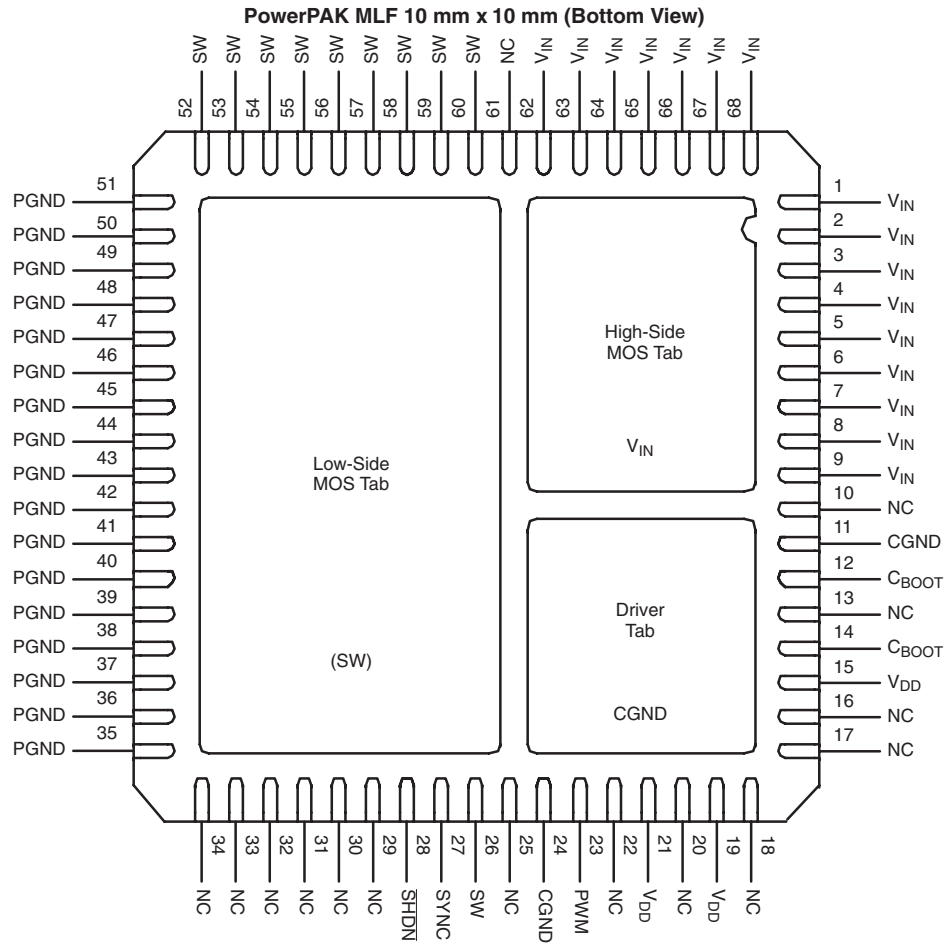


Figure 4. Total Loss 12 V_{IN}/1.3 V_{OUT}

Notes:

- a. Experimental results using an evaluation board with a specific set of operating conditions.

PIN CONFIGURATION



TRUTH TABLE				
$\overline{\text{SHDN}}$	SYNC	PWM	HS MOSFET	LS MOSFET
L	X	X	OFF	OFF
H	L	L	OFF	OFF
H	L	H	ON	OFF
H	H	L	OFF	ON
H	H	H	ON	OFF

PIN DESCRIPTION		
Pin Number	Symbol	Description
1 - 9, 62 - 68	V_{IN}	Input-Voltage (High-Side MOSFET Drain)
10, 13, 16 - 18, 20, 22, 25, 11, 24	NC	No Connect Control Ground. Should be connected to PGND externally
11, 24	CGND	Control Ground. Should be connected to PGND externally
12, 14	C_{BOOT}	Connection pin for Bootstrap Capacitor for Upper MOSFET
15, 19, 21	V_{DD}	Logic Supply Voltage - decoupling to GND with a CAP is strongly recommended
23	PMW	Pulse Width Modulation (PWM) Signal Input
27	SYNC	Disable Low-Side MOSFET Drive
28	SHDN	Disable All Functions (Active Low)
35 - 51	PGND	Power Ground (Low-Side MOSFET Source)
26, 52 - 60	SW	Connection Pin for Output Inductor (High-Side MOSFET Source/Low-Side MOSFET Drain)

DEVICE OPERATION

Pulse Width Modulator (PWM)

This is a CMOS compatible logic input that receives the drive signals from the controller circuit. The PWM signal drives the buck switch.

Break-Before-Make (BBM)

The SiC714CD10 has an internal break-before-make function to ensure that both high-side and low-side MOSFETs are not turned on the same time. The low-side MOSFET will not turn on until the high-side gate drive voltage is less than V_{BBM} , thus ensuring that the high-side MOSFET is turned off. This parameter is not user adjustable.

$\overline{\text{SHDN}}$

CMOS logic signal. In the low state, the $\overline{\text{SHDN}}$ disables both high-side and low-side MOSFET's.

Capacitor to Boot Input (C_{BOOT})

Connected to V_{DD} by an internal diode via the C_{BOOT} pin, the boot capacitor is used to sustain rail for the high-side MOSFET gate drive circuit.

Under Voltage Lockout (UVLO)

During the start up cycle, the UVLO disables the gate drive holding high-side and low-side MOSFET's low until the input voltage rail has reached a point at which the logic circuitry can be safely activated. The UVLO is not user adjustable.

SYNC Pin for Pre-Bias Start-Up

The low side MOSFET can be individually enable or disabled by using the SYNC pin. In the low state (SYNC = low), the low-side MOSFET is turned off. In the high state, the low-side MOSFET is enabled and follows the PWM input signal (see timing diagram, Figure 2). SYNC is a CMOS compatible logic input and is used for a pre-biased output voltage.

Voltage Input (V_{IN})

This is the power input to the drain of the high-side Power MOSFET. This pin is connected to the high power intermediate BUS rail.

Switch Node (SW)

The Switch node is the circuit PWM regulated output. This is the output applied to the filter circuit to deliver the regulated high output for the buck converter.

Power Ground (PGND)

This is the output connection from the source of the low-side MOSFET. This output is the ground return loop for the power rail. It should be externally connected to CGND.

Control Ground (CGND)

This is the control voltage return path for the driver and logic input circuitry to the SiC714CD9. This should externally connected to PGND.

APPLICATION CIRCUIT

Power Up Sequence: The presence of V_{DD} prior to applying the V_{IN} and PWM is recommended to ensure a safe turn on

Power Down Sequence: The sequence should be reverse of the on sequence, turn off the V_{IN} before turning off the V_{DD} .

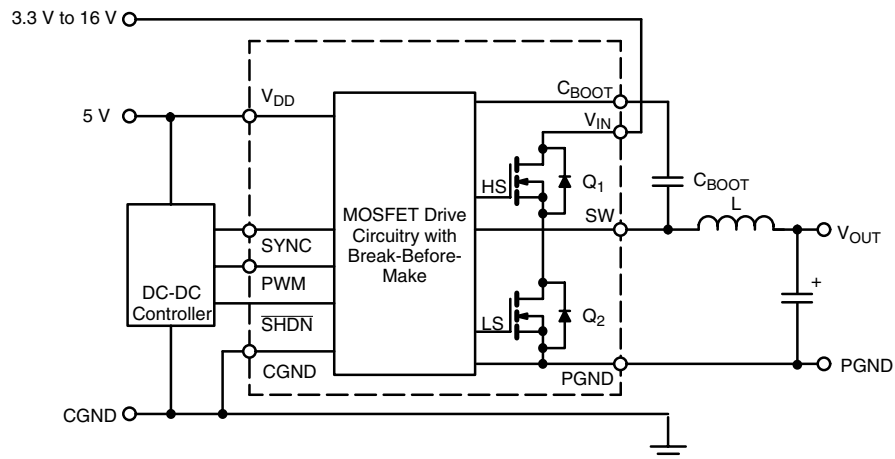


Figure 7.

The SiC711CD10 has a built-in delay time that is optimized for the MOSFET pair. When the PWM signal goes low, the high-side driver will turn off, after circuit delay (t_{doff}), and the output will start to ramp down, (t_f). After a further delay, the low-side driver turns on.

When the PWM goes high, the low-side driver turns off, (t_{don}). As the body diode starts to conduct, the high-side MOSFET turns on after a short delay. The delay is minimized to limit body diode conduction. The output then ramps up, (t_r).

TYPICAL APPLICATION

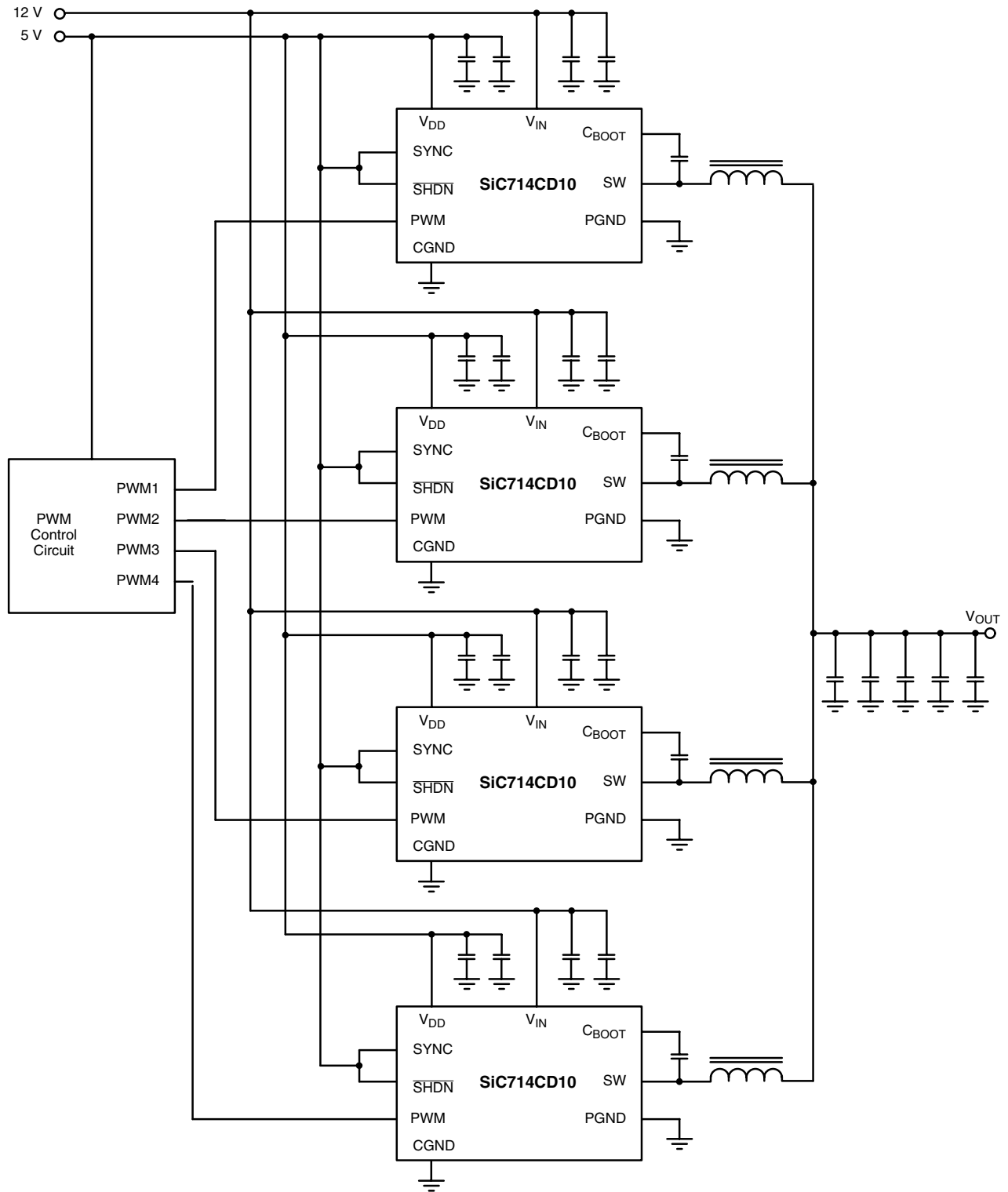
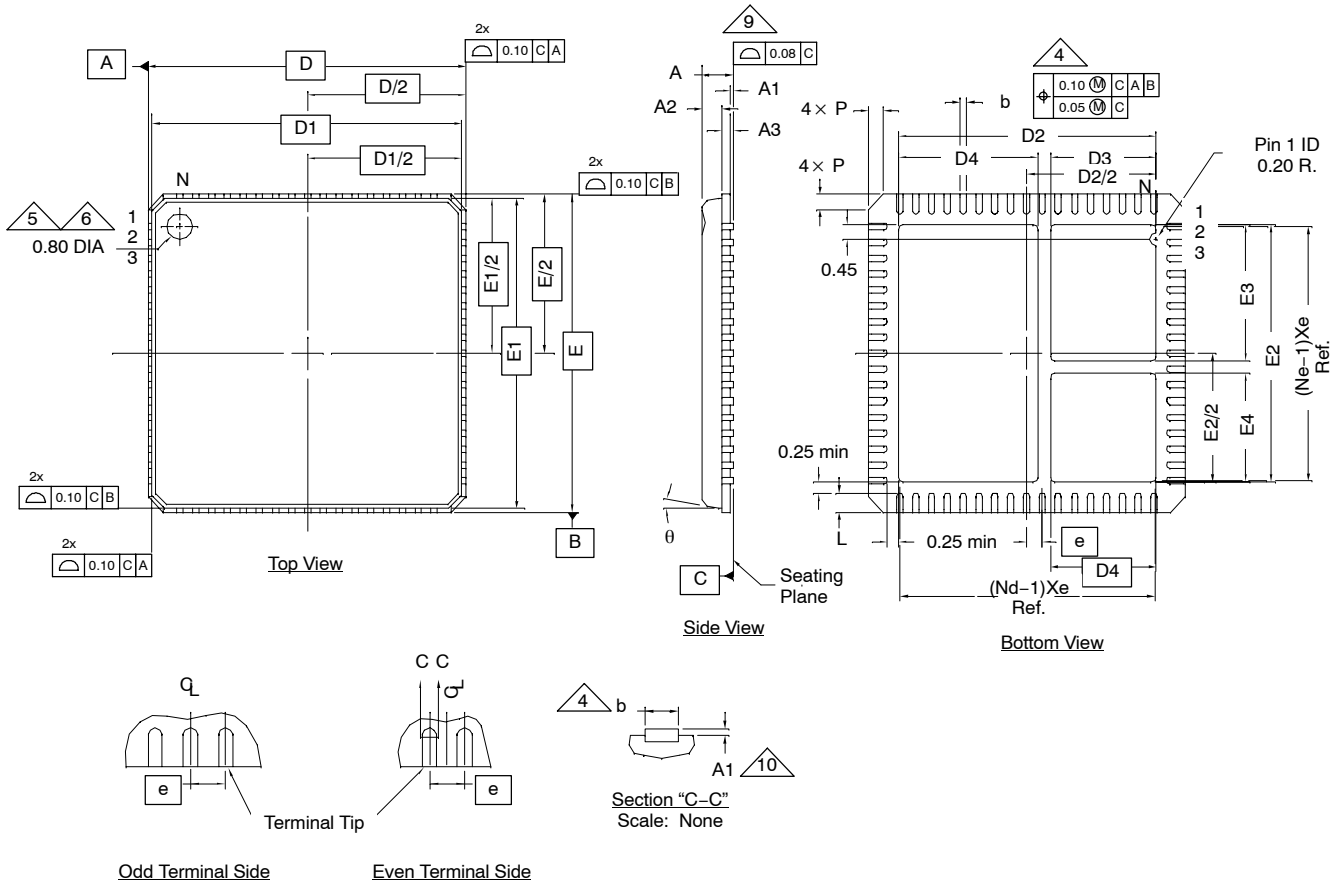


Figure 8.

Vishay Siliconix maintains worldwide manufacturing capability. Products may be manufactured at one of several qualified locations. Reliability data for Silicon Technology and Package Reliability represent a composite of all qualified locations. For related documents such as package/tape drawings, part marking, and reliability data, see <http://www.vishay.com/ppg?73569>.



PowerPAK® MLF 10 × 10



EXPOSED PAD VARIATIONS (Millimeters)																				
D2			E2			D3			E3			D4			E4			D5		
Min	Nom	Max	Min	Nom	Max	Min	Nom	Max	Min	Nom	Max	Min	Nom	Max	Min	Nom	Max	Min	Nom	Max
7.95	8.10	8.25	7.95	8.10	8.25	3.15	3.30	3.45	4.15	4.30	4.45	3.15	3.30	3.45	3.25	3.40	3.55	4.25	4.40	4.55
EXPOSED PAD VARIATIONS (Inches)																				
D2			E2			D3			E3			D4			E4			D5		
Min	Nom	Max	Min	Nom	Max	Min	Nom	Max	Min	Nom	Max	Min	Nom	Max	Min	Nom	Max	Min	Nom	Max
0.313	0.319	0.325	0.313	0.319	0.325	0.124	0.130	0.136	0.163	0.169	0.175	0.124	0.130	0.136	0.128	0.134	0.140	0.167	0.173	0.179

NOTES:

- Die thickness allowable is 0.305-maximum (0.12-inches maximum)
- Dimensioning and tolerancing conform to ASME Y14.5M-1994.
- N is the total number of terminals. Pad from measuring, Nd is the number of terminals in the X-direction and Ne is the number of terminals in the Y-direction.
- Dimension b applies to plated terminal and is measured between 0.20 mm and 0.25 mm from the terminal tip.
- The pin #1 identifier must exist on the top surface of the package. The identifier may be an indentation mark or other feature of the package body.
- Exact shape and size of this feature is optional.
- Millimeters will govern.
- Package warpage maximum is 0.08 mm.
- Applied for exposed pad and terminals exclude embedding part of exposed.
- Applied only for terminals.



PowerPAK® MLF 10×10

DIMENSIONS							
Dim	MILLIMETERS*			INCHES			NOTE
	Min	Nom	Max	Min	Nom	Max	
A	—	0.85	0.90	—	0.033	0.035	
A1	0.00	0.01	0.05	0.000	—	0.002	10
A2	—	0.65	0.80	—	0.026	0.031	
A3	0.20 REF			0.008 REF			
b	0.18	0.23	0.30	0.007	0.009	0.012	4
D	10.00 BSC			0.394 BSC			
D1	9.75 BSC			0.384 BSC			
e	0.50 BSC			0.020 BSC			
E	10.00 BSC			0.394 BSC			
E1	9.75 BSC			0.384 BSC			
L	0.50	0.60	0.75	0.020	0.024	0.030	
N	68			68			3
Nd	17			17			3
Ne	17			17			3
P	0.24	0.42	0.60	0.009	0.017	0.024	
θ	—	—	12°	—	—	12°	

* Use millimeters as the primary measurement.

ECN: T-04698—Rev. A, 14-Feb-05
DWG: 5944



Disclaimer

ALL PRODUCT, PRODUCT SPECIFICATIONS AND DATA ARE SUBJECT TO CHANGE WITHOUT NOTICE TO IMPROVE RELIABILITY, FUNCTION OR DESIGN OR OTHERWISE.

Vishay Intertechnology, Inc., its affiliates, agents, and employees, and all persons acting on its or their behalf (collectively, "Vishay"), disclaim any and all liability for any errors, inaccuracies or incompleteness contained in any datasheet or in any other disclosure relating to any product.

Vishay makes no warranty, representation or guarantee regarding the suitability of the products for any particular purpose or the continuing production of any product. To the maximum extent permitted by applicable law, Vishay disclaims (i) any and all liability arising out of the application or use of any product, (ii) any and all liability, including without limitation special, consequential or incidental damages, and (iii) any and all implied warranties, including warranties of fitness for particular purpose, non-infringement and merchantability.

Statements regarding the suitability of products for certain types of applications are based on Vishay's knowledge of typical requirements that are often placed on Vishay products in generic applications. Such statements are not binding statements about the suitability of products for a particular application. It is the customer's responsibility to validate that a particular product with the properties described in the product specification is suitable for use in a particular application. Parameters provided in datasheets and/or specifications may vary in different applications and performance may vary over time. All operating parameters, including typical parameters, must be validated for each customer application by the customer's technical experts. Product specifications do not expand or otherwise modify Vishay's terms and conditions of purchase, including but not limited to the warranty expressed therein.

Except as expressly indicated in writing, Vishay products are not designed for use in medical, life-saving, or life-sustaining applications or for any other application in which the failure of the Vishay product could result in personal injury or death. Customers using or selling Vishay products not expressly indicated for use in such applications do so at their own risk and agree to fully indemnify and hold Vishay and its distributors harmless from and against any and all claims, liabilities, expenses and damages arising or resulting in connection with such use or sale, including attorneys fees, even if such claim alleges that Vishay or its distributor was negligent regarding the design or manufacture of the part. Please contact authorized Vishay personnel to obtain written terms and conditions regarding products designed for such applications.

No license, express or implied, by estoppel or otherwise, to any intellectual property rights is granted by this document or by any conduct of Vishay. Product names and markings noted herein may be trademarks of their respective owners.